

Model:
DASS100
DASS160
DASS200
DASS230



CE & Energy Star Compliant



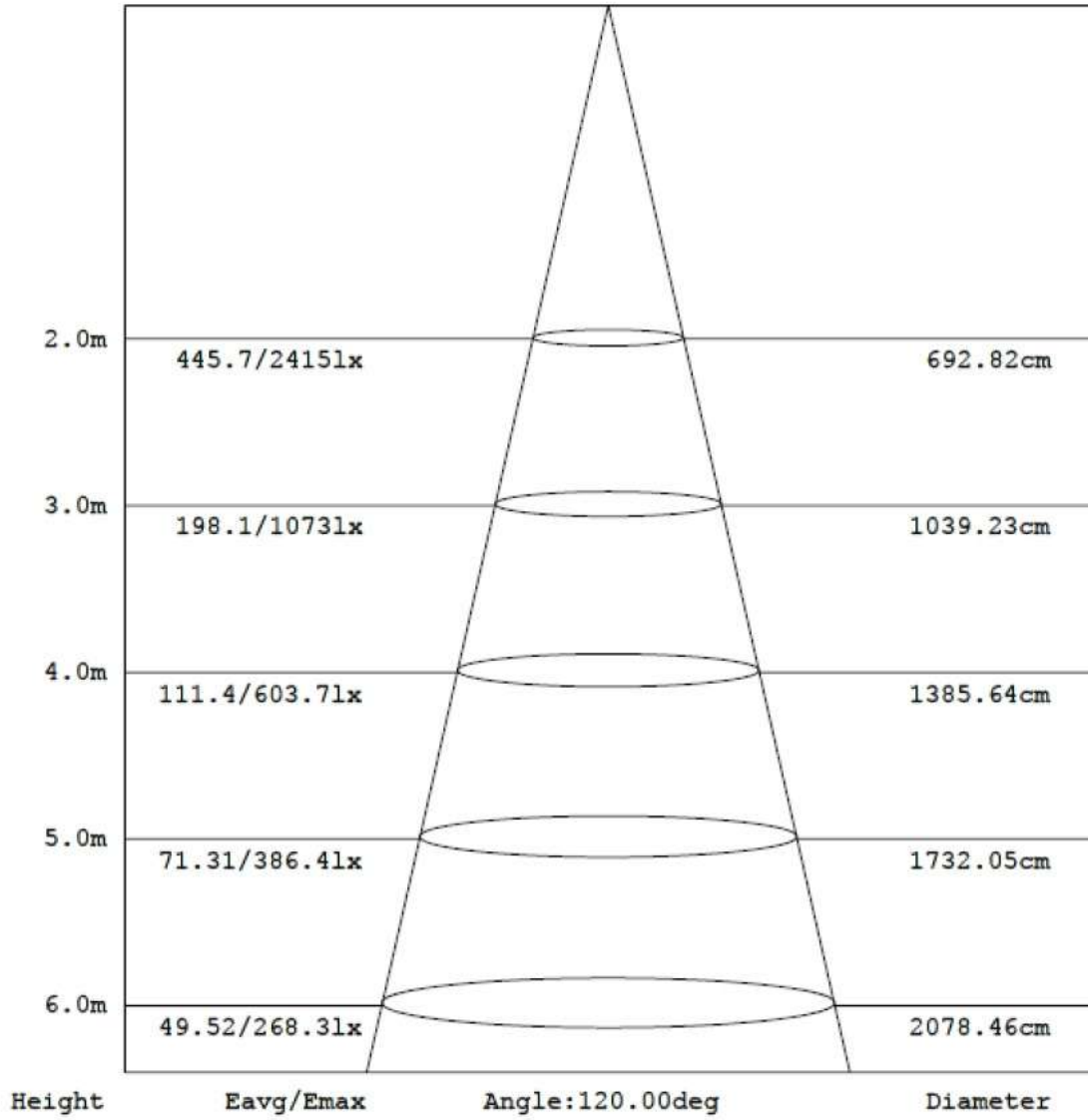
- Up to 115lm/watt (120lm/watt R70)
- Unique appearance, innovative heat sink design
- Low operating temperature, makes it extremely versatile under different easy/hard operating conditions
- Innovative reflector-mounting-mechanism for instant beam angle adjustment
- Superbly reliable Meanwell HBG driver with built in 1-10V dimming function
- Light weight
- Easy Installation
- 5 Years Guarantee

Specification					
Model	100w	120w	160w	200w	230w
Light Source	LED Modules				
Power Consumption	100w	120w	160w	200w	230w
Weight	6.10kg-7.35kg				
Initial Luminous flux (Total) 6kk	12800lm	15360	20480lm	25600 lm	29440lm
Color Rendering index (CRI)	>80				
Power Factor	>0.9				
Input voltage	90-305v AC; -20C-+45C; IP65; IK10				
Material	Aluminum				
CCT	3kk,4kk,5kk,6kk; 120deg, 90deg, 60deg				

Benefits

- Extra Long Life (L80) 60,000 hours
- Save up to 80% of energy Consumption & reduce maintenance costs
- Virtually no heat or UV output
- No Mercury & Resistant to Shock and vibration

Optical Performance

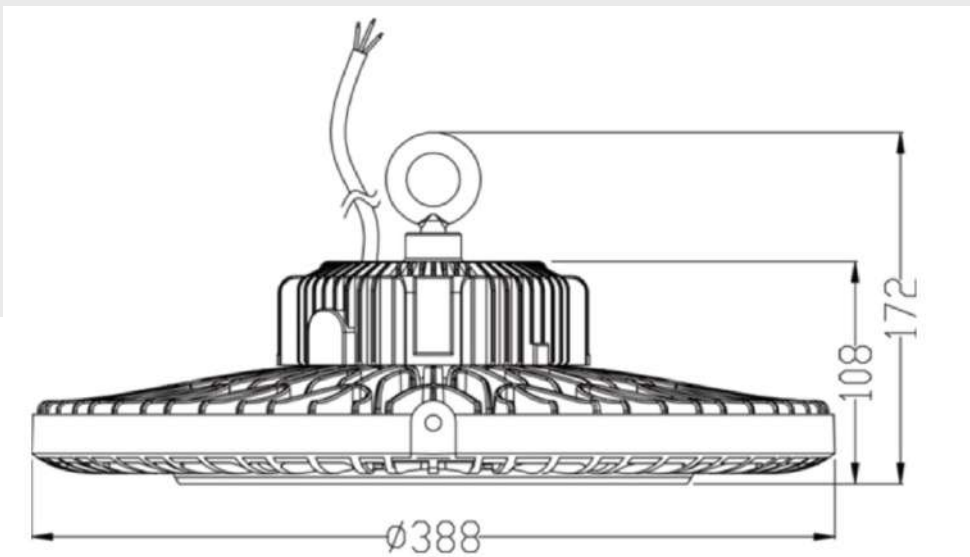


Application



Installation Examples

- High Bay
- Low Bay
- Area Lighting
- Outdoor
- Indoor



Further Information

Power supply options

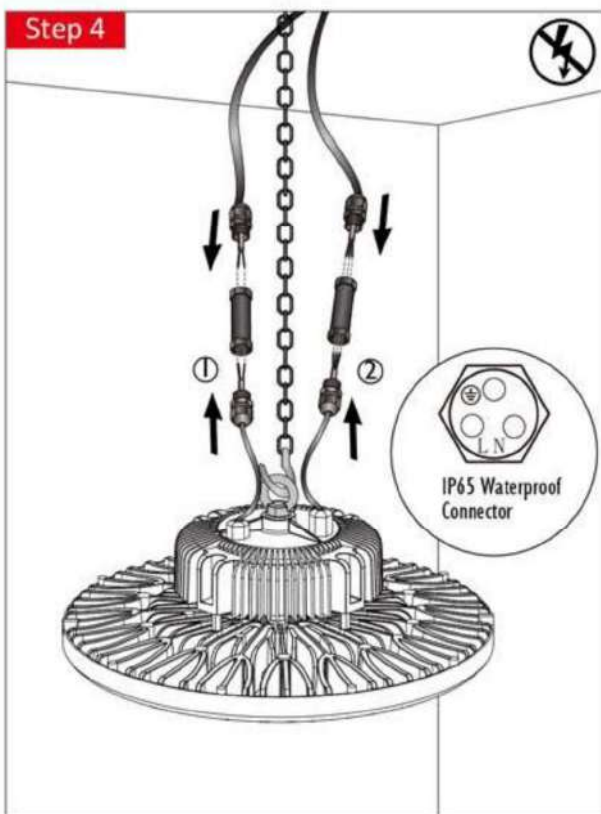
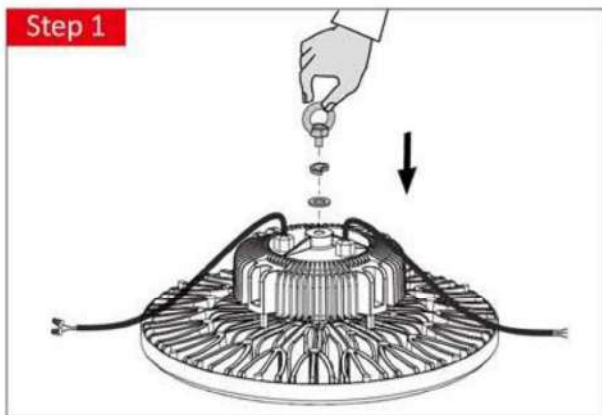
Power Supply



Packaging Details

Product	Color box* size	Carton size (LxWxH)	Units/ Carton	Net Weight kg	Gross weight kg
---------	-----------------	---------------------	---------------	---------------	-----------------

Installation



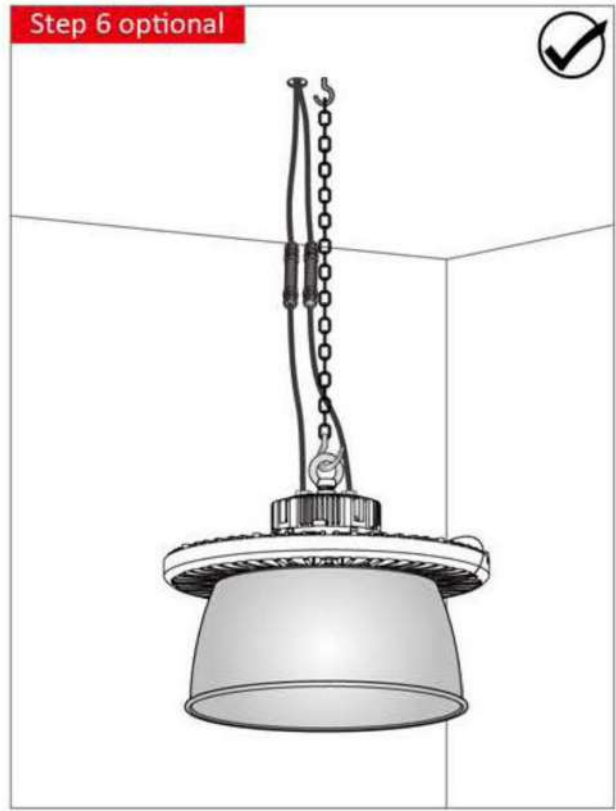
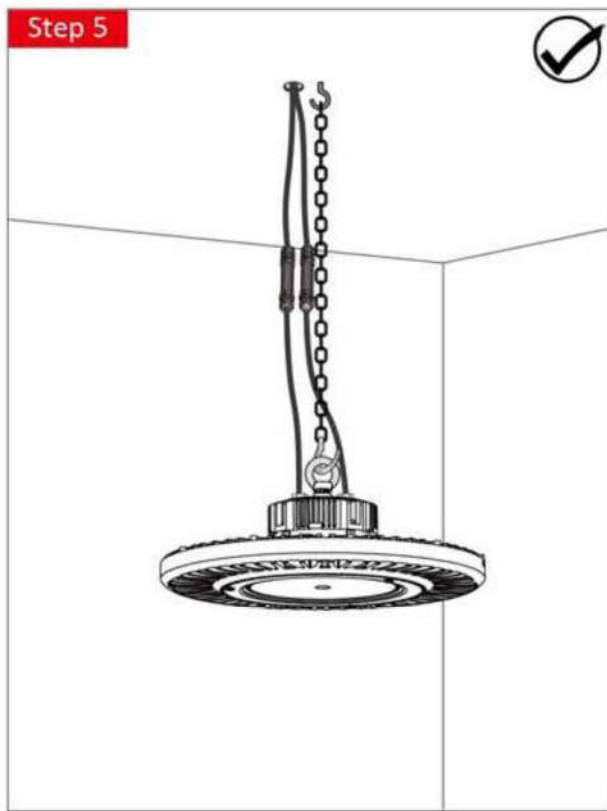
Note:

	CE version:	ETL version:
① I-10V dimming cable	+ Brown - Blue	+ Purple - Grey
② 100-277V AC cable	N Blue L Brown ⊕ Green	N White L Black ⊕ Green

Warning:

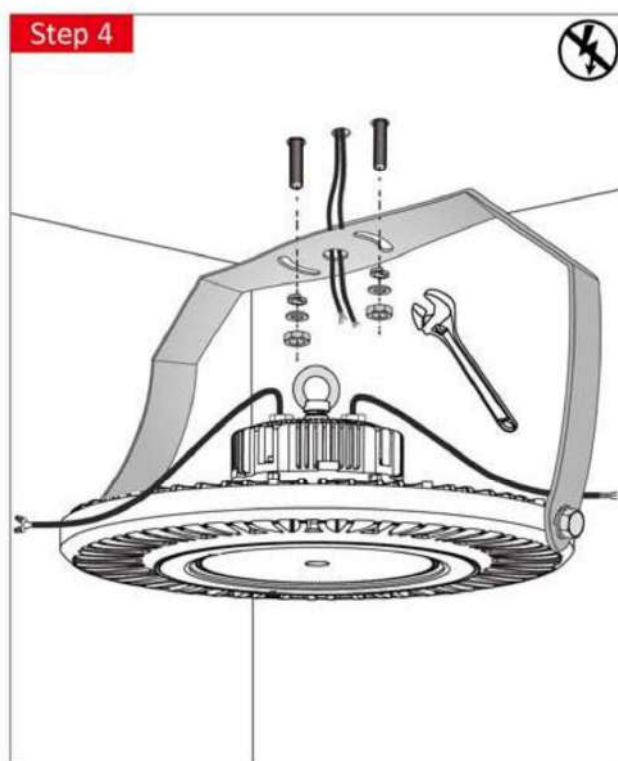
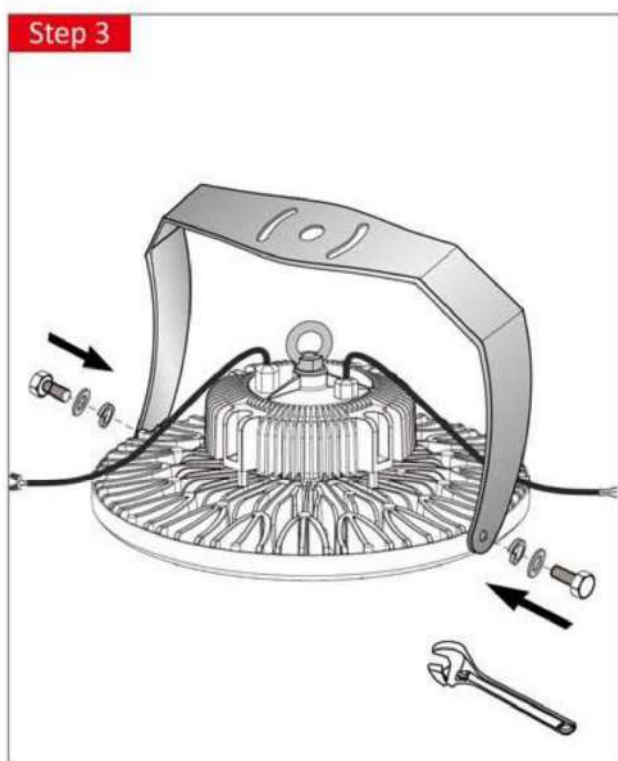
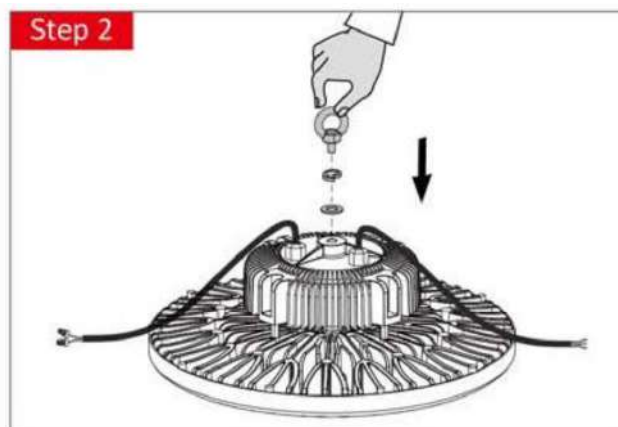
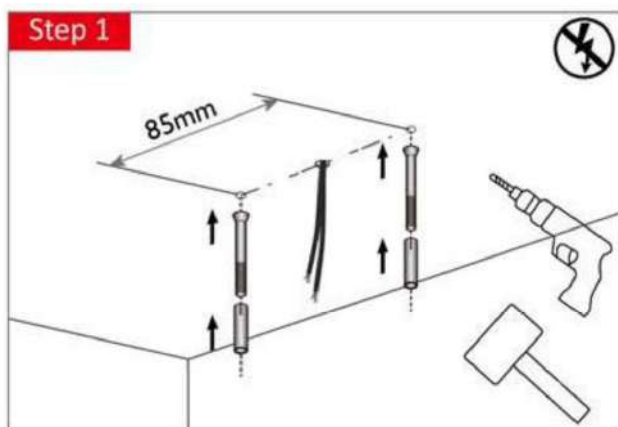
- ① Incorrect installation may result in power burned or a risk of a fire.
- ② If don't need dimming, protect the I-10V output with the protection caps provided with the product.

Installation



5 YEAR
GUARANTEE

Installation



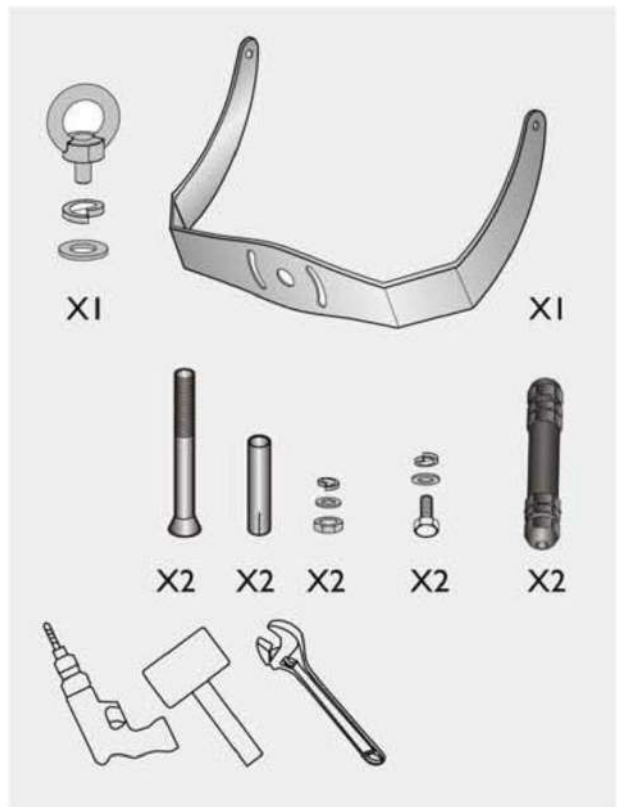
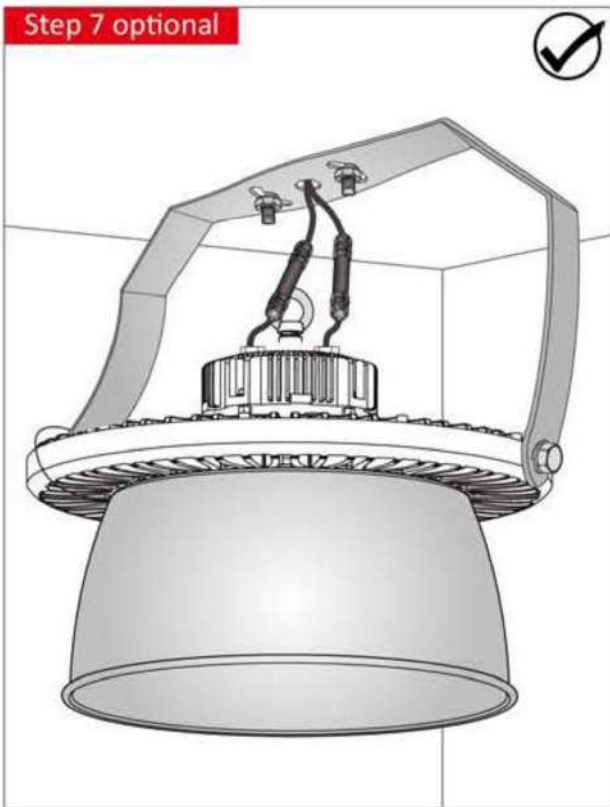
Note:

	CE version:	ETL version:
① I-10V dimming cable	+ Brown - Blue	+ Purple - Grey
② 100-277V AC cable	N Blue L Brown ⊙ Green	N White L Black ⊙ Green

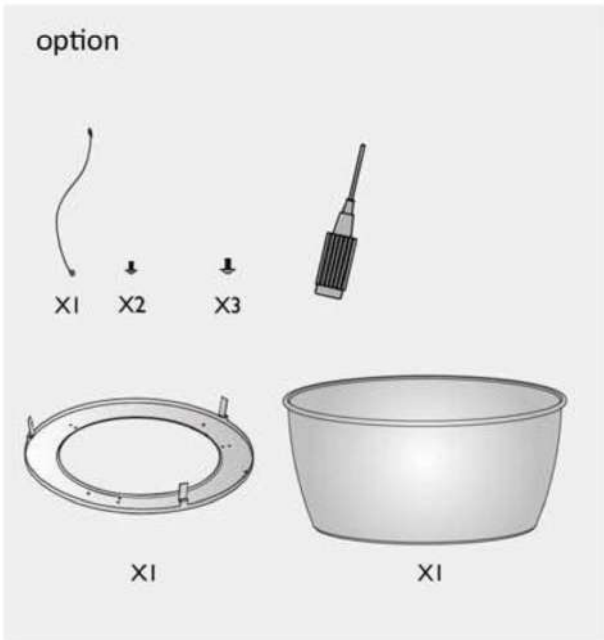
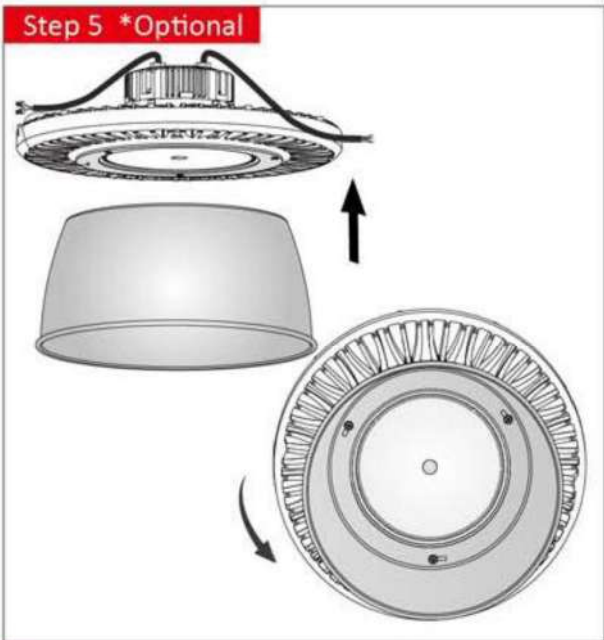
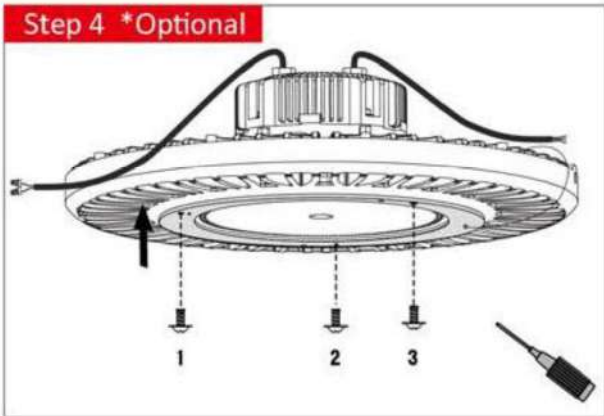
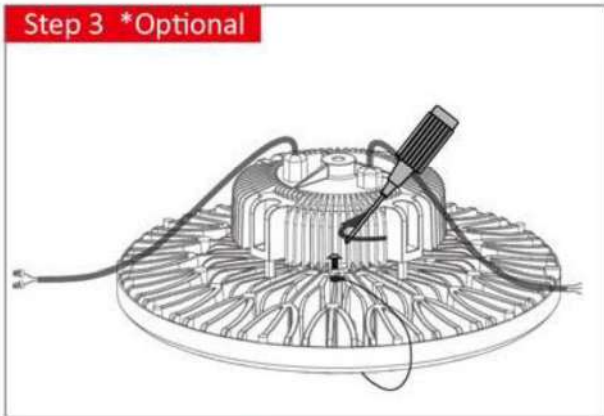
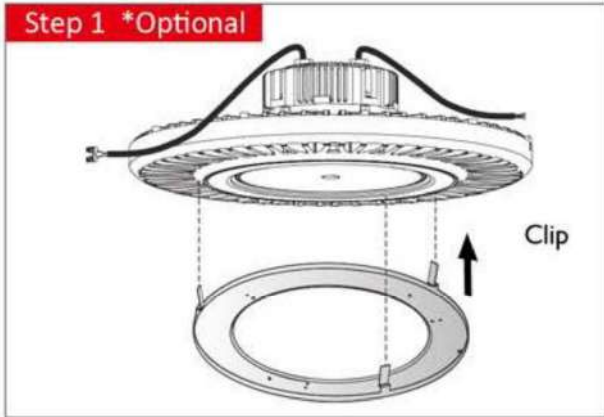
Warning:

- ① Incorrect installation may result in power burned or a risk of a fire.
- ② If don't need dimming, protect the I-10V output with the protection caps provided with the product.

Installation



Installation



Options

