

Model:

D28085v3

1500mm

1200mm

900mm

600mm



CE & Energy Star Compliant



Features

- High efficiency
- Long life span.
- Quick response time
- Quick start, soft light,
- Energy saving, Environmental friendly.
- CCT available : 3000k, 4000k, 6000k

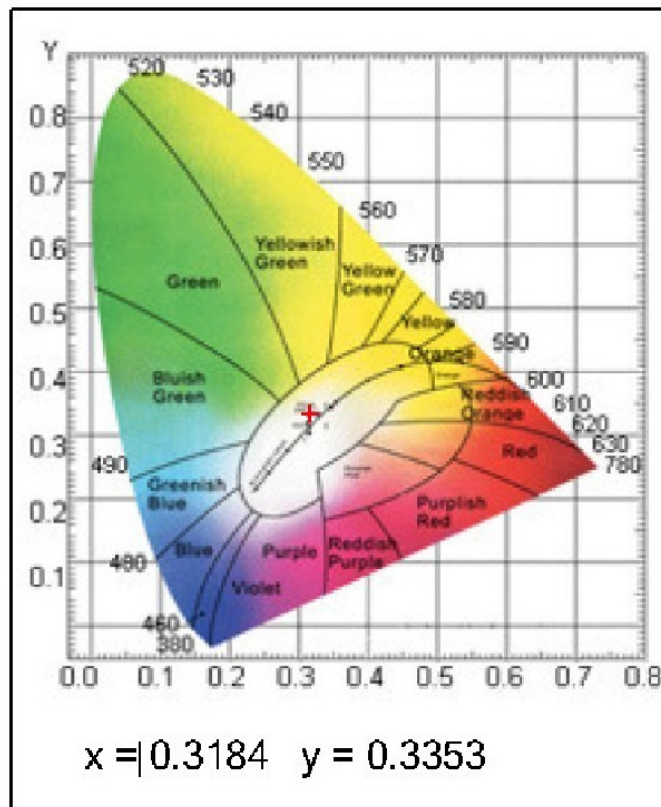
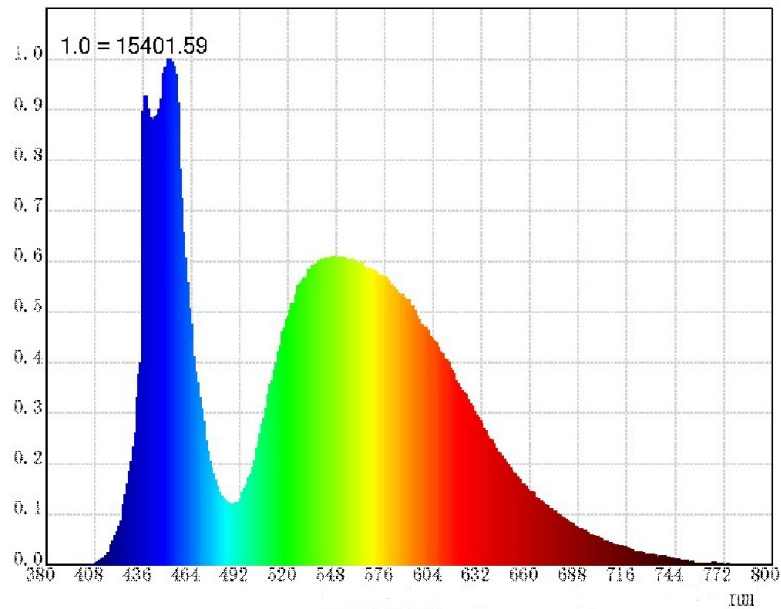
Specification

Model	1500mm	1200mm	900mm	600mm
Light Source	SMD LED			
Power	22w	18w	14w	10w
Luminous Efficacy	100 lm/w			
CRI	Ra> 80			
Power Factor	>0.9			
Voltage	100-240 vAC 50-60 hz			
Working Temp. & Humidity	-20°C to +60°C; 10% - 70% RH			
Beam	180°			

Benefits

- Extra Long Life 30,000 hours
- Save up to 80% of energy Consumption & reduce maintenance costs
- Virtually no heat or UV output
- No Mercury & Resistant to Shock and vibration

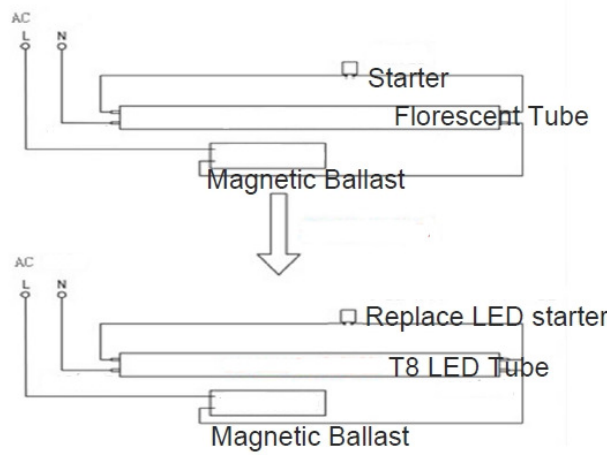
Optical Performance



Application



Installation-Magnetic Ballast



Installation-Inductive Ballast

1. Cut off the original line power before installation
2. LED tube can be installed directly in the T8 or T10 bracket (remove the starter);
3. If there is an electronic ballast, it can't be installed directly, you should get rid of electronic ballast;
4. LED tubes are not serviceable by themselves;
5. If any unusual problem arises, please contact us. If LED tubes serviced by non-qualified technician, warranty void.

