

# T8-LED®X

## Code: D12078 EXTERNAL DRIVER

- CE Compliant
- Dali Dimmable(Dali driver)



### Features

- High performance SMD LEDs with controlled color consistency.
- High Power Factor >0.9 Extra Low Voltage.
- High quality aluminum heat sink providing optimized thermal path.
- Extra Long Life More than 50,000 hours.
- No flicker associated with fluorescent lamps.
- 5 year Warranty.

Code	Length	Lens	Beam Angle	Lumen Output	Operating voltage	Power	Efficacy
D12078 - 600	600mm (2 ft)	Frosted	330°	900lm	85~265vAC	9W	100 lm/w
		Clear	330°	990lm			110 lm/w
D12078 - 900	900mm (3 ft)	Frosted	330°	1400lm		14W	100 lm/w
		Clear	330°	1540lm			110 lm/w
D12078-1200	1200mm (4 ft)	Frosted	330°	1980 lm		18 W	110 lm/w
		Clear	330°	1980 lm			110 lm/w
D12078 - 1500	1500mm (5 ft)	Frosted	330°	2420lm		22W	110 lm/w
		Clear	330°	2420lm			110lm/w

te: Lumen output is relative to the Correlated Color Temp (CCT), the values shown are for a CCT of 4500k±500k

### Lumen Output

It should be noted that because T8-LED light output is directional, there is no light loss within the fixture, As Fluorescent luminance is reduced at the target level by approx. 30%, a comparable fluorescent level is 1500 Lumens.

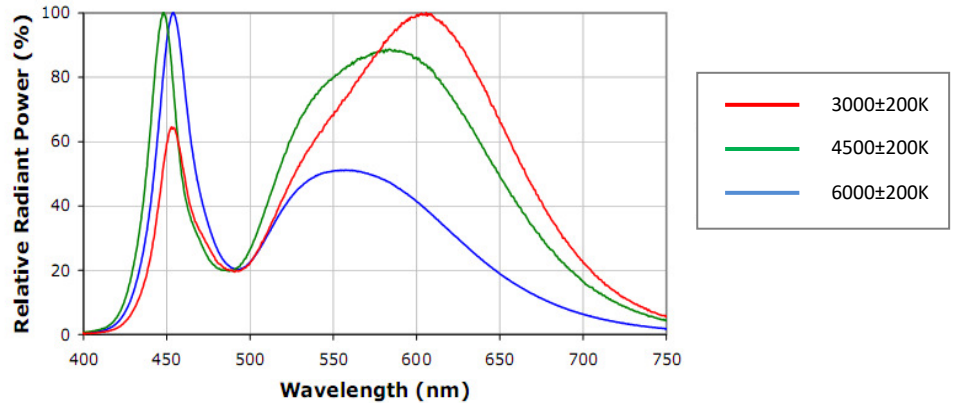
Product	T-LED 8 – 1200mm	Flourescent T8 – 1200mm
Power	18 w	36 w (plus ±10w for Ballast)
Initial Lumens	2520 lm	3000 lm
Directional Lumens	1980 lm	1470 lm
CRI	>83	<83
Rohs Compliant	YES	NO
Contains mercury	NO	YES
Lifespan	50,000 Hrs	30,000 Hrs

**Color Rendering**

With a High CRI, T8-LED<sup>®</sup> renders the true colors of illuminated items.

Reduced UV and infra-red output eliminates heat output and damage to sensitive objects.

**Relative Spectral Power Distribution**

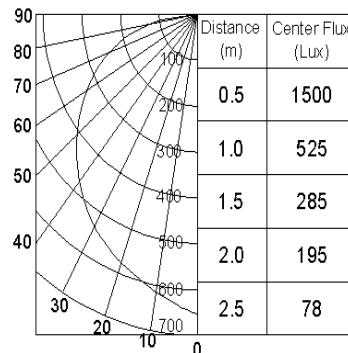


**Lens**

T8-LED can be supplied with Clear or Frosted Lens.

Frosted lens provides smoother light distribution however lumen output is reduced, use clear lens for highest possible light output.

**Beam Angles**

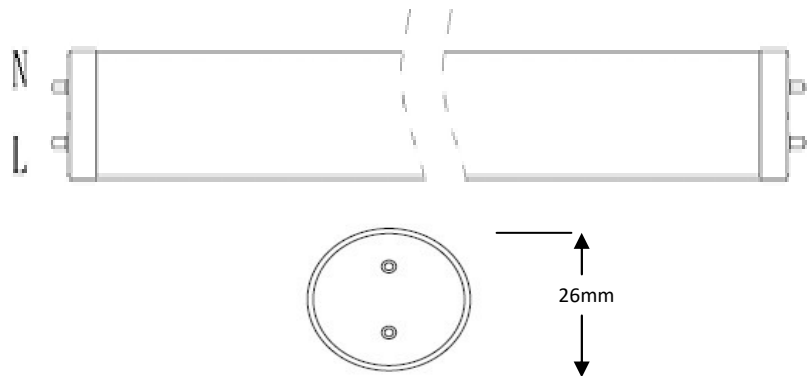


**Dimensions**

T8-LED tubes are design to directly replace traditional fluorescent tubes, and will fit into existing fixtures.

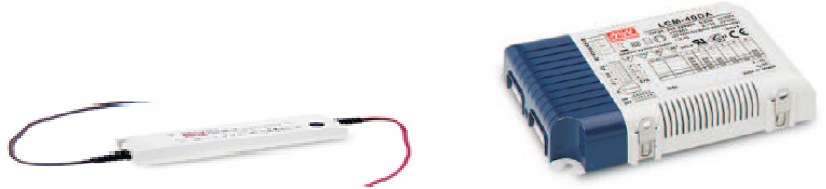
Pins can be configured for Horizontal or Vertical lighting.

**Dimensions**



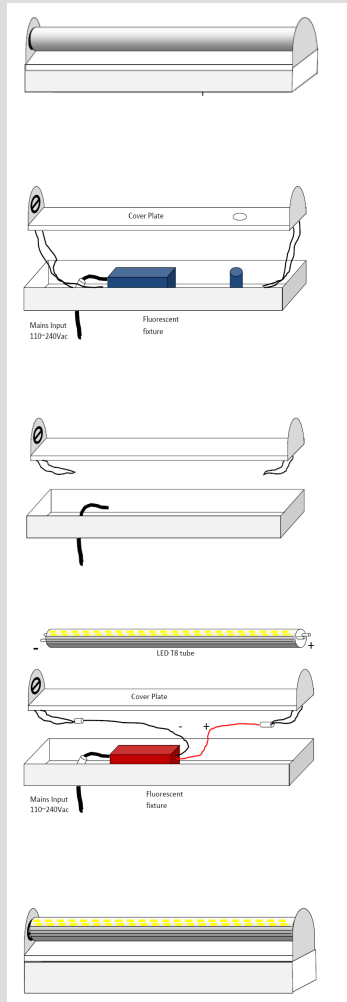
## External Driver

Multiple T8-LED tubes can be connected to a single driver to provide a cost effective solution



## Installation

## SIMPLE INSTALLATION INSTRUCTIONS



1. Disconnect power to the fluorescent fixture.
2. Twist and remove the fluorescent tube/tubes from the housing.
3. Open the housing to reveal the ballast & starter inside.
4. Remove starter.
5. Cut the wire connecting the ballast/starter to the G13 sockets.
6. Disconnect ballast from mains input wires.
7. Remove ballast.
8. Remove starter holder.
9. Secure LED driver into the housing.
10. Connect mains input wires to the input cable of the LED driver.
11. Connect both wires from one of the G13 sockets to one of the output wires (red or black) of the LED Driver.
12. Repeat the process for the opposite G13 socket.
13. Close the fixture.
14. Install the LED replacement tube. (note : the T10 LED has reverse input voltage protection).
15. Re-connect power.

**Caution:**

Electrical connections should be carried out by a suitably qualified electrician in accordance with local laws

## Applications

- Office Lighting
- Recreation Vehicle
- Bus, Train Interiors
- Task Lighting
- Under Cabinets
- Counters
- Display Cases
- Coolers, Freezers
- Interior Design Uses
- Retail Store Displays
- Closet Illumination
- Cove Lighting
- Concealed lighting
- Edge Lighting
- Cubicle light
- Workbench Lighting



## Fixtures

T8-LED is supplied as tube only designed to fit into existing fixtures.

Please consult us for advice on fixture compatibility and supply.

